

DH-IPC-HDBW82A1EN-Z(I)

2MP Full HD WDR SmartNetwork Motorized DomeCamera



Features

- 1/2.8" 2Megapixel progressive scan CMOS
- Support H.265/H.264/MJPEG dual codec
- Smart triple streams supported
- Max 30fps@1080P(1920x1080)
- Ultra 3D DNR
- Smart detection
- Intelligent Function
- 2.7 ~12mmvarifocal motorized lens
- Max. IR LEDs length 50m
- Micro SD memory, IP67, PoE

DH-IPC-HDBW82A1EN-Z(I)

Technical Specifications

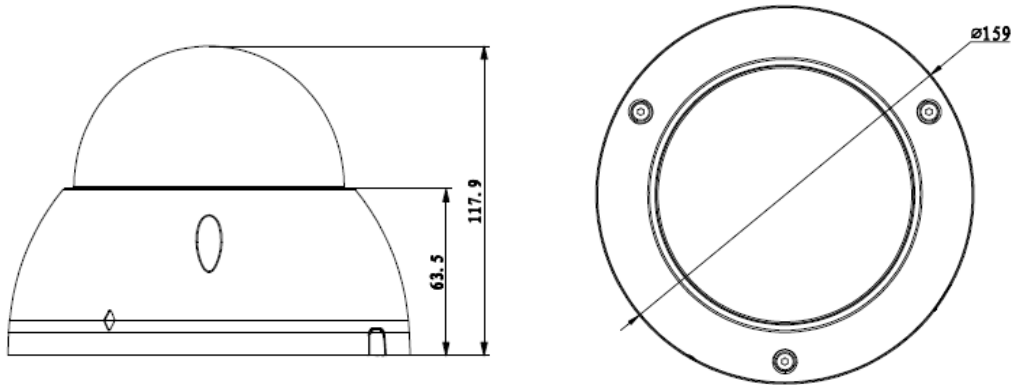
Model	DH-IPC-HDBW82A1EN-Z(I)	
Camera		
Image Sensor	1/2.8"2Megapixel Exmor R CMOS	
Effective Pixels	1920(H)x1080(V)	
Scanning System	Progressive	
Electronic Shutter Speed	Auto/Manual, 1/3~1/100000s	
Min. Illumination	0.005Lux/F1.4(Color),0Lux/F1.4(IR on)	
S/N Ratio	More than 50dB	
Video Output	1 port	
Camera Features		
Max. IR LEDs Length	50m	
Day/Night	Auto(ICR)/Color/B/W	
Backlight Compensation	BLC / HLC / Ultra WDR(140dB)	
White Balance	Auto/Manual	
Gain Control	Auto/Manual	
Noise Reduction	3D	
Privacy Masking	Up to 4 areas	
Lens		
Focal Length	2.7 -12mm motorized	
Max Aperture	F1.4	
Focus Control	Auto	
Angle of View	H:99°(Wide)~36°(Tele)	
Lens Type	Motorized/Auto Iris(DC)	
Mount Type	Board-in Type	
Video		
Compression	H.265/H.264/MJPEG	
Resolution	1080P(1920×1080)/720P(1280×720)/D1(704×576) /CIF(352×288)	
Frame Rate	Main Stream	1080P (1~30fps)
	Sub Stream	D1/CIF(1 ~ 30fps)
	Third Stream	1080P/720P/D1(1 ~ 30fps)
Bit Rate	H.264: 40K ~ 10Mbps	
Audio		
Compression	G.711a / G.711u/AAC	
Interface	1/1 channel In/Out	
Smart Function(Only for "-ZI" model)		
Smart detection	Tripwire	
	Intrusion	
	Scene change	
	Missing/Abandoned	
	Audio detect	
	Face detect	

DH-IPC-HDBW82A1EN-Z(I)

Intelligent function	People counting
	Heat map
Network	
Ethernet	RJ-45 (10/100Base-T)
Wi-Fi	N/A
Protocol	IPv4/IPv6, HTTP, HTTPS, SSL, TCP/IP, UDP, UPnP, ICMP, IGMP, SNMP, RTSP, RTP, SMTP, NTP, DHCP, DNS, PPPOE, DDNS, FTP, IP Filter, QoS, Bonjour
ONVIF	ONVIF,PSIA,CGI
Max. User Access	20 users
Smart Phone	iPhone, iPad, Android, Windows Phone
Auxiliary Interface	
Memory Slot	Micro SD, Max 128GB
Alarm	1/1 channel In/Out
General	
Power Supply	DC12V/AC24V, PoE (802.3af)
Power Consumption	Max 15W
Working Environment	-30°C~+60°C, Less than 95% RH
Ingress Protection	IP67,IK10
Dimensions	Φ 159mm×117.9mm
Weight	0.8Kg

DH-IPC-HDBW82A1EN-Z(I)

Dimensions (mm)



Accessory (optional)

PFA101	PFB302S	PFA152
PFA138	PFB201C	PFB300C